



ICE DAMS

Minnesota Department of Commerce Energy Information Center

Ice dams – or ice buildup on roof eaves – are all too obvious and all too familiar to Minnesota homeowners. The shelf of ice along the eave and the icicles are clearly visible, as are the dislodged roof shingles, sagging gutters, damaged insulation, and water stains on interior ceilings and walls that are the result of ice dams. What isn't clearly visible is what causes ice dams.

A major solution to ice dams is sealing attic bypasses . . . preferably during construction

Causes of Ice Dams

Although there are other causes (see sidebar), in most cases ice dams begin inside the house when heated air leaks up into the unheated attic. In the winter, the roof above the unheated attic is cold. When warm air leaks into the unheated attic, it creates warm areas on the roof which in turn cause the snow on the exterior of the roof to melt. The melting snow moves down the roof slope until it reaches the cold overhang, where it refreezes.

The process continues, causing ice to build up along the eaves and form a dam. Eventually this dam forces the water to back up under the shingles and sometimes into the ceiling or wall inside the home. In addition to the roof and water damage described above, ice dams may cause structural framing members to decay, metal fasteners to corrode, and mold and mildew to form in attics and on wall surfaces.

The Solution – Sealing Attic Bypasses

The pathways through which heated indoor air moves into the attic are called attic bypasses. To reduce ice dams, attic bypasses must be eliminated. Ideally, attic bypasses are eliminated – or prevented – when the home or building is constructed, since some attic bypasses are not always accessible after construction. The following areas are common sources of attic bypasses that need to be sealed.

- penetrations in the building envelope for electrical and telecommunication equipment
- all exterior joints that may be a source of air intrusion
- lighting fixtures, including recessed lights and wire penetrations
- all plumbing and heating penetrations (including chimneys, flue pipes, and ducting)
- attic hatches
- balloon framed walls and walls that span both heated and unheated spaces, such as in split level houses
- dropped ceilings over bathtubs, closets and cabinets, and kitchen soffits
- other areas where walls are not completely sealed at the attic such as stairway walls and interior partition walls

Other common sources of attic bypasses are:

- electrical boxes and fan housings (such as exhaust fans)
- kneewall construction in story-and-a-half houses



Related Guides:

Attic Bypasses
Combustion & Make Up Air
Home Moisture
Home Insulation
Home Heating
House Diagnostics
New Homes
Indoor Ventilation

Combustion Air Caution

Any time a house is tightened to reduce air leaks, care must be taken to ensure that the furnace, water heater, fireplace, and any other fuel-burning appliance has sufficient combustion air to operate safely. For information on providing combustion air, call the Energy Information Center and ask for a free copy of the Combustion Air Home Energy Guide.

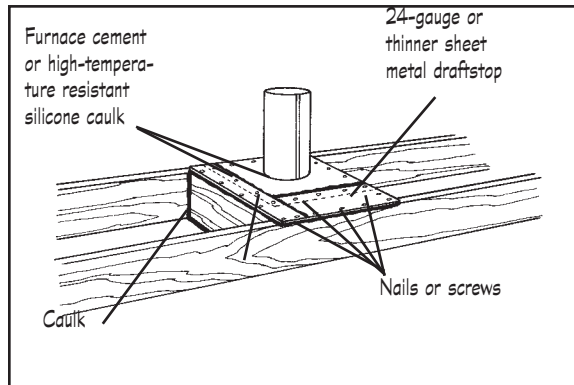


Figure 1
With a metal chimney, the ceiling penetration can be closed with sheet metal sealed with long-life flexible caulk to the framing. Silicone caulk resistant to 400 degrees F. should be used to seal the sheet metal to the chimney.

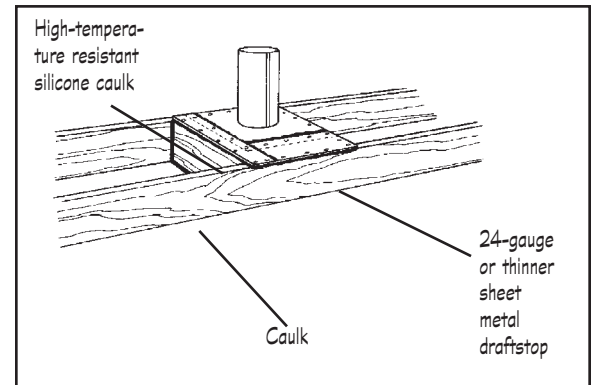


Figure 2
Gaps between a brick chimney and the joists can be closed with sheet metal cut into halves to fit around the chimney and sealed the same way as with a metal chimney.

Techniques for sealing various attic bypasses are illustrated above and on the next page.

Sealing Bypasses after Construction

Homeowners guide. For the homeowner faced with an ice dam problem, not all of the techniques illustrated may be practical. The Home Energy Guide “Attic Bypasses” describes common sources of air leaks and methods the homeowner can use to seal them. For a free copy, call the Energy Information Center.

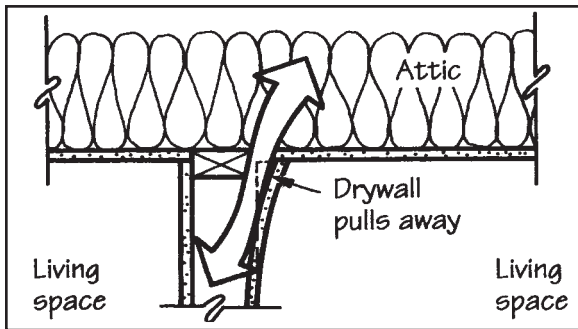
Diagnostic services. Both builders and homeowners may seek the help of technicians trained in using diagnostic equipment to identify sources of air leaks. A blower door test and an infrared scan can locate major leaks in houses and help determine whether they have been sealed effectively. Attic bypasses often follow long paths through building cavities before they enter the attic. For more information on pressure diagnostic testing equipment and a list of house doctors who provide these testing services, call the Energy Information Center.

Some Non-Solutions to Ice Dams

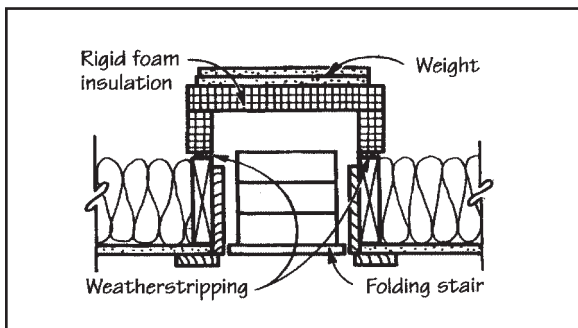
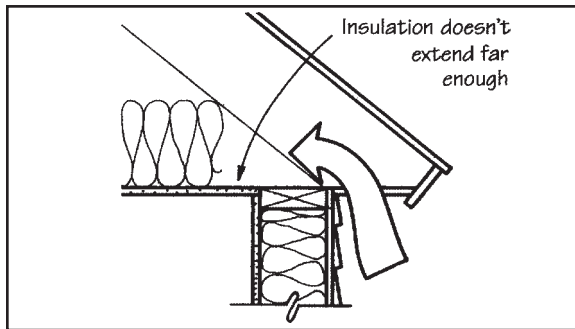
Increasing insulation and/or roof ventilation.

Adding insulation helps reduce ice dams, but once you have reached an R-44 level, there may be little value in adding more insulation. Adding insulation without sealing attic bypasses could actually increase the amount of air leakage, diminishing the performance of the insulation.

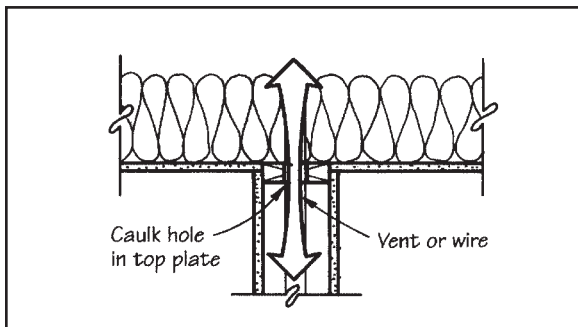
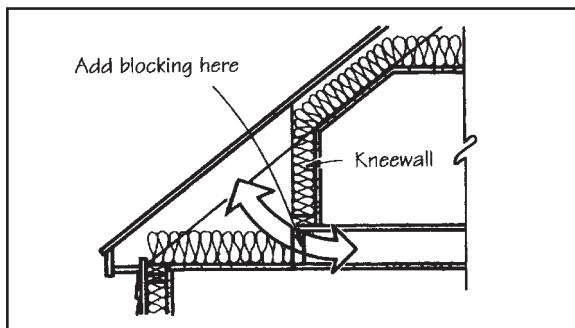
Roof vents are required by all building codes and should be installed according to building code standards. They are, however, only a partial solution to reducing ice dam formation. One caution: using power ventilators such as attic fans or other motorized devices can depressurize the attic, drawing warm moist air out of the house and into the attic.



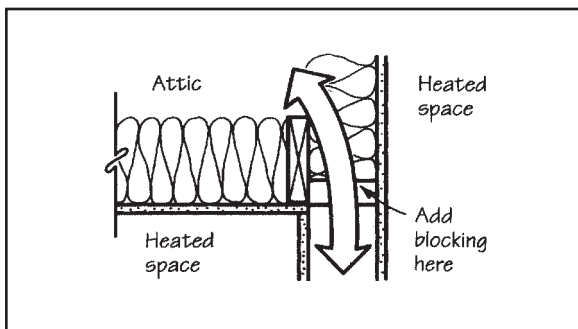
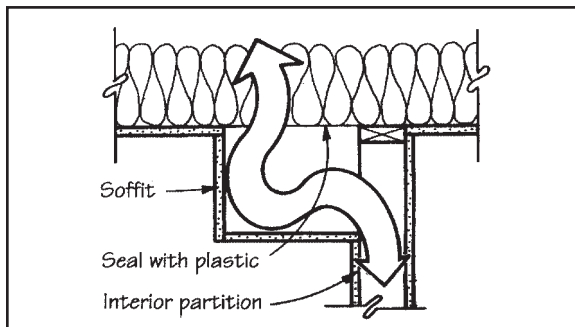
Above left: Leaks at wall-ceiling intersection. If the top plate shrinks and pulls away from the drywall, cold air will enter the partition and then the living space through openings such as electrical boxes. Prevent this by caulking the top plate. The same problem can also occur where an interior partition wall joins an exterior wall. Right: Cold wall-ceiling intersection at eaves may have mildew from condensation when insulation doesn't extend deeply enough into the eaves. Fix by extending batt far enough to completely cover the living space, but make sure to leave ventilation space below the roof sheathing.



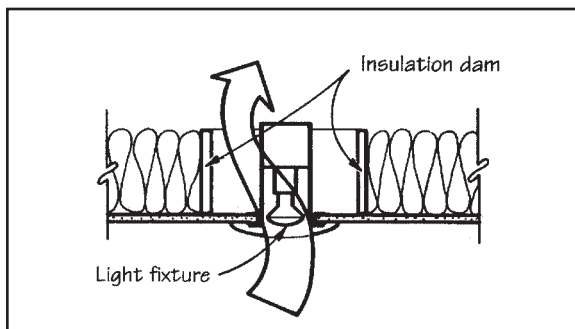
Above left: Attic bypasses occur when no air seal or insulation is placed over the folding attic stair. The best solution is a box made of rigid foam with a little weight on top (wallboard works well), with weatherstripping to seal it. Right: A gap below the kneewall in the second story is a common area of air leaks. Unless the joist space is blocked below the kneewall, warm air enters the crawl space. Block with rigid foam sealed with caulk.



Above left: Leaks around plumbing vents and wiring is a frequent problem. Fix by caulking or foaming around openings in the top plate or using rubber boots that slip around pipes or chases. Right: Unsealed kitchen or bath soffits are all too common. A soffit is hung from the framing with no wallboard at ceiling level to seal the insulation. Seal with plastic under the ceiling insulation. This may be hard to retrofit, but it's a major problem.



Above left: Unblocked stud bay to attic in split levels, similar to a problem in balloon framing, where stud bays continue past ceiling joists to the attic. Block with rigid foam. Right: Recessed ceiling lights are tough to deal with, though some models offer good air sealing. For new recessed lighting, look for fixtures designed and tested for low leakage. For existing recessed lights, check the label for an "IC" (Insulation Covered) Rating. If it has an IC Rating, you can build an airtight enclosure



Other Possible Causes of Ice Dams

The root cause of ice dams is a warm roof: a warm roof melts snow which trickles down to the roof edge where it refreezes and begins to form a ridge of ice. In most cases a warm roof is the result of attic bypasses (indoor warm air leaks up into the unheated attic).

Other factors can create a warm roof, however, including roof design. Roofs with large surface areas exposed to the sun and having small run-off areas are prone to ice buildup. A classic example is a roof with several gables or dormers. Very heavy snowfalls also can create problems: a foot or more of snow on a roof combined with warm winter temperatures can warm the roof and result in snow melt and ice on eaves. Leaking or disconnected heating ducts that pass through the attic also can result in a warm roof.

If you have ice buildup for any of these reasons, do not remove the ice by chopping since this could seriously damage the roof. Instead, use a side-walk snow melt product or have a roofer steam the snow off. If you replace a roof, install an ice and water membrane along the roof valleys and perimeter.

Illustrations on this page are reprinted with permission from the Journal of Light Construction. For subscription information call 800-375-5981

Minnesota Department of Commerce

Suite 500
85 7th Place East
St. Paul, MN 55101-2198
www.commerce.state.mn.us

Energy Information Center

Twin Cities:
651-296-5175

TTY: 651-297-3067

Statewide toll free:
1-800-657-3710

E-mail:
energy.info@state.mn.us

This information will be made available, upon request, in alternative formats such as large print, Braille, cassette tape, CD-ROM.

This publication was produced with funds from a U.S. Department of Energy State Energy Program grant. However, any opinions, findings, conclusions, or recommendations expressed herein are those of the author and do not necessarily reflect the views of the Department of Energy.



MINNESOTA
DEPARTMENT OF
COMMERCE

061500B

Minnesota Home Energy Guides

This guide is one in a series of publications designed to help Minnesotans save energy in their homes. Copies of the titles listed below are available by calling or contacting the Minnesota Department of Commerce.

CD-ROM contains all of the Home Energy Guides as well as several other publications of interest to homeowners, builders and contractors.

Appliances advises consumers on what to look for in energy efficient appliances and includes information on efficient operation and maintenance of refrigerators, freezers, washers, dryers, dishwashers, cooktops, ovens, and home office equipment.

Attic Bypasses explains how to find those "hidden air passageways" and fix them to prevent costly heat loss and damage to roofs, ceilings, walls, and insulation.

Basement Insulation discusses options to improving basement comfort, many not even involving insulation. It also provides details on exterior basement insulation, special foundation products and recommendations on interior insulation.

Caulking and Weatherstripping describes how to identify sources of air leaks, lists various types of caulk and weatherstripping, and provides illustrated how-to-apply instructions.

Combustion and Makeup Air describes the causes of dangerous combustion air problems and tells how to install an outside combustion air supply. It also tells how to test your home for combustion air problems.

Energy Saving Landscapes describes how to use trees and shrubs for long-term energy savings, and lists trees appropriate for energy-savings.

Home Cooling tells you how to cool without air conditioning, and provides information on buying and operating energy efficient air conditioners.

Home Heating describes proper maintenance techniques and helps you become an educated shopper if you are buying a new heating system.

Home Insulation helps the homeowner evaluate the benefit of added insulation, providing information on buying and installing insulation.

Home Lighting looks at new technologies for residential lighting, identifying four basic strategies and providing examples for putting them into practice.

Home Moisture describes symptoms of moisture problems, lists common indoor and outdoor causes, and discusses preventive and corrective measures.

Indoor Ventilation describes the types of home mechanical ventilation systems that are available, the amount of ventilation air needed, and how best to operate and maintain the system.

Low Cost/No Cost addresses the often overlooked energy saving tips for all areas of your home.

New Homes discusses a wide range of options for increasing energy efficiency beyond the normal building code requirements. Subjects covered include insulation, ventilation, air-vapor controls, heating and cooling, windows, doors, and appliances.

Water Heaters helps you determine whether to buy a new water heater or improve the old one. It explains the efficiency of different types of water heaters and provides installation tips.

Windows and Doors helps you decide whether to replace or repair windows or doors and gives a good summary of energy efficient replacement options.

Wood Heat offers advice on purchasing and installing a wood stove, with special emphasis on safety.